

JENE 8000 IO R

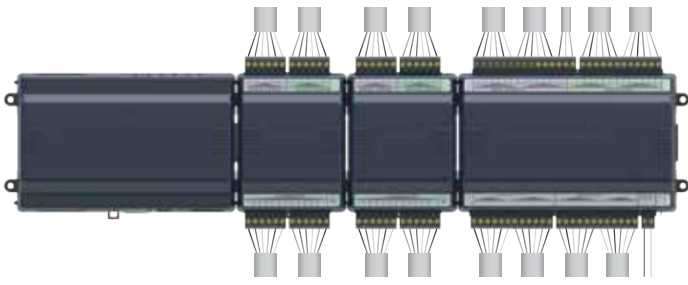
Introducing an IO solution that makes the next-generation JENE 8000 more powerful, and your migration path straightforward.



DESIGN SIMPLICITY, TECHNICAL SOPHISTICATION AND MORE, IN BOTH A 16 AND 34 POINT MODULE

- **Ease of use:** Single-tool programming inside the Niagara environment with live debugging
- **Enhanced capability:** Ability to set hold time and default states for outputs based on application needs
- **Improved flexibility:** Operates over an RS485 network and can be installed anywhere. Multiple modules can be combined so each JENE 8000 can command more than 250 points of IO.
- **Minimal wiring labor:** Quick three-step process when moving from NDIO to the JENE 8000

MIGRATION MADE EASY

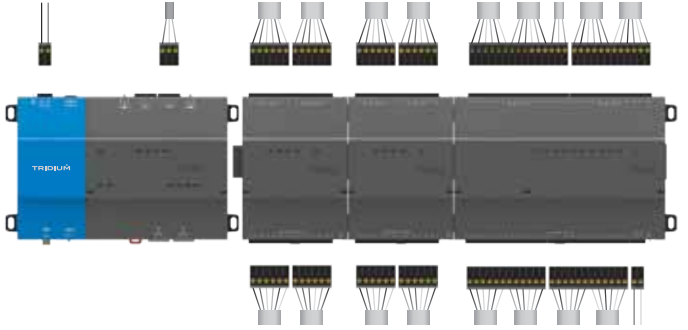


1. Detach from JENE 2, 3E, 6 or 6E's T-IO-16 and T-IO-34 modules



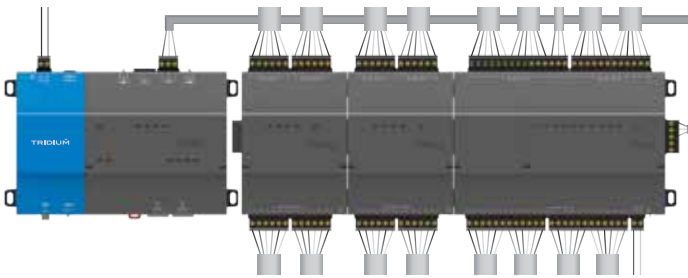
JENE 8000 IO R is a drop-in replacement for legacy T-IO-16 and T-IO-34 modules

2. Reattach to JENE 8000 IO R 16 and 34 modules



Same footprint makes the JENE 8000 IO R an ideal retrofit for JENE 2, 3E, 6 or 6E

3. Add 24VAC/DC and connect the RS485 bus to the JENE 8000



ACT NOW

- **Available incentives:** Contact your Lynxspring account manager or Niagara partner about available IO R incentives.
- **Continued support:** JENE 3E and 6E service parts will be available for a limited time.

This latest Niagara Framework® advancement opens a world of possibilities



Customer support worldwide

Headquarters
North America
1 816 347 3500

Support
Worldwide
1 816 347 3599

lynxspring.com

© 2017 Lynxspring, Inc. All rights reserved. All other trademarks and registered trademarks are properties of their respective owners.

Information and/or specifications published here are current as of the date of publication of this document. Lynxspring, Inc. reserves the right to change or modify specifications without prior notice. The latest product specifications can be found by contacting our corporate headquarters, Lee's Summit, Missouri. Products or features contained herein may be covered by one or more U.S. or foreign patents. This document may be copied only as expressly authorized by Tridium in writing. It may not otherwise, in whole or in part, be copied, photocopied, reproduced, translated, or reduced to any electronic medium or machine-readable form.

2017-0013