

10" TSD

Installation Guide

LYNX-WD-010-01 10" Display Assembly



Purpose

This document is provided to instruct a customer to install the LynxSpring 10" Touchscreen Display in as timely a fashion as possible.



An inadequate, incomplete, or in-existent install procedure may lead to the incorrect operation of the equipment and/or the incorrect information being supplied to the end-user.

Scope

This document is intended for use by any competent person, with minimal IT skills required. Do not attempt to install this product if you do not have the relevant skills & experience to do so.

Procedure

The Tablet can be powered using the supplied Standard Wall Socket power supply. A wall socket will be required for the Switching Adaptor Input at 100-240V at 50/60Hz. The supplied USB cable to DC Jack is 1M long, ensure the cable will reach the power supply.

An Ethernet cable will be required if a wired network connection is used.

Mounting Options

On the rear Bezel, mounting hole alignments can be found for a standard VESA mount and electrical pattress box fixings.

NOTE: Hardware fixings to the wall or panel are not supplied with this kit due to the variation of material types and thickness. Please use screws/bolts that are appropriate for the surroundings.

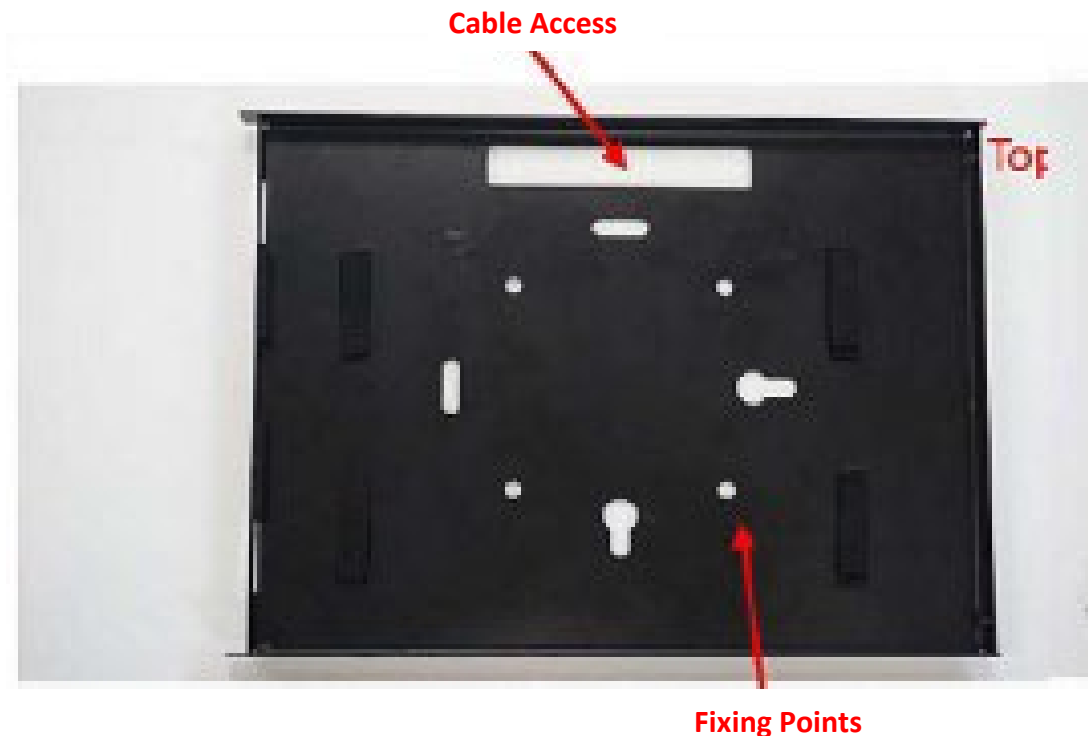


An inadequate or incomplete install procedure may lead to the incorrect operation of the equipment and/or the incorrect information being supplied to the end user. Do not attempt to install this product if you do not have the relevant skills & experience to do so.

BOX CONTENTS

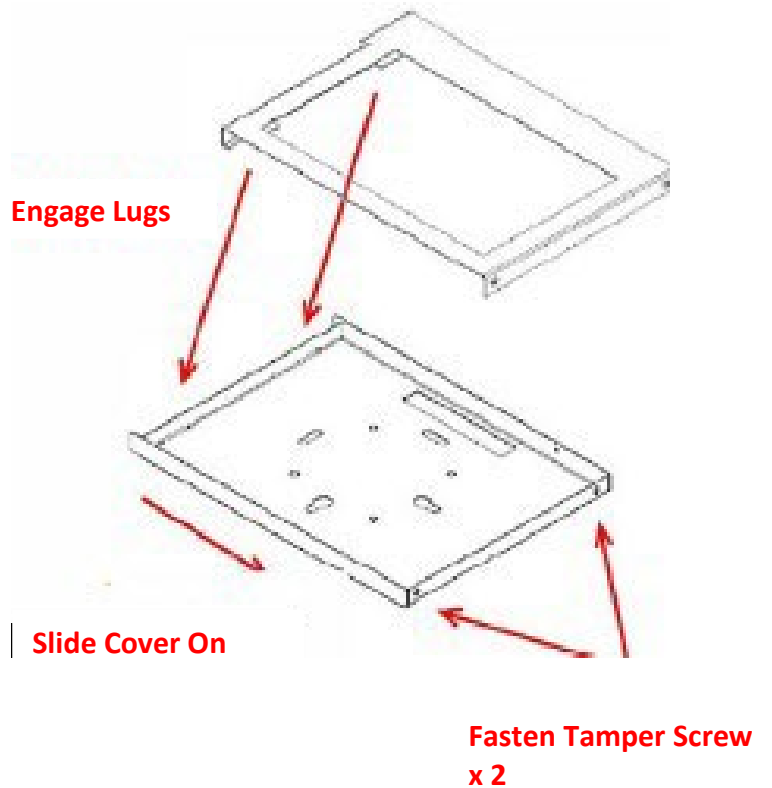
1. 10" Android Tablet with J-TEQ Kiosk Application Preloaded.
2. Fully Enclosed Bezel (2 Parts Back and Front)
3. USB to Ethernet Adaptor
4. Right Angled Type C OTG Cable
5. Power Supply with UK and EU wall plugs
6. Screw and Restart Alan Key
 1. 2 x M5 8mm Security Screw (T25)
 2. HEX Key 1.5mm – To be used as a restart tool.

1. Secure the rear bezel metalwork to the wall or panel in the chosen location, ensuring an opening matching the cut-out area on the bezel is available for cable access.



2. Make the wiring connections to the tablet display. (DC jack plug for power, and OTG cable for connection to the ethernet adaptor if a wired connection is required)
3. Place the tablet into the bezel frame. It should be held in place by the foam on the side of the bezel and sit directly in the bottom.

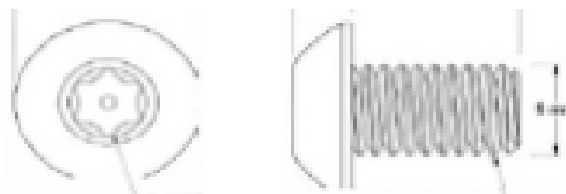
4. Position the top cover, sliding from left to right to engage the lugs, and fasten in place with the tamperproof screws.



Tamper Screw Detail

PLEASE NOTE:

A T25 Tamper Proof Driver will be required to secure the bezel cover together.



Drilling Template

Download the Drilling Template [here](#)